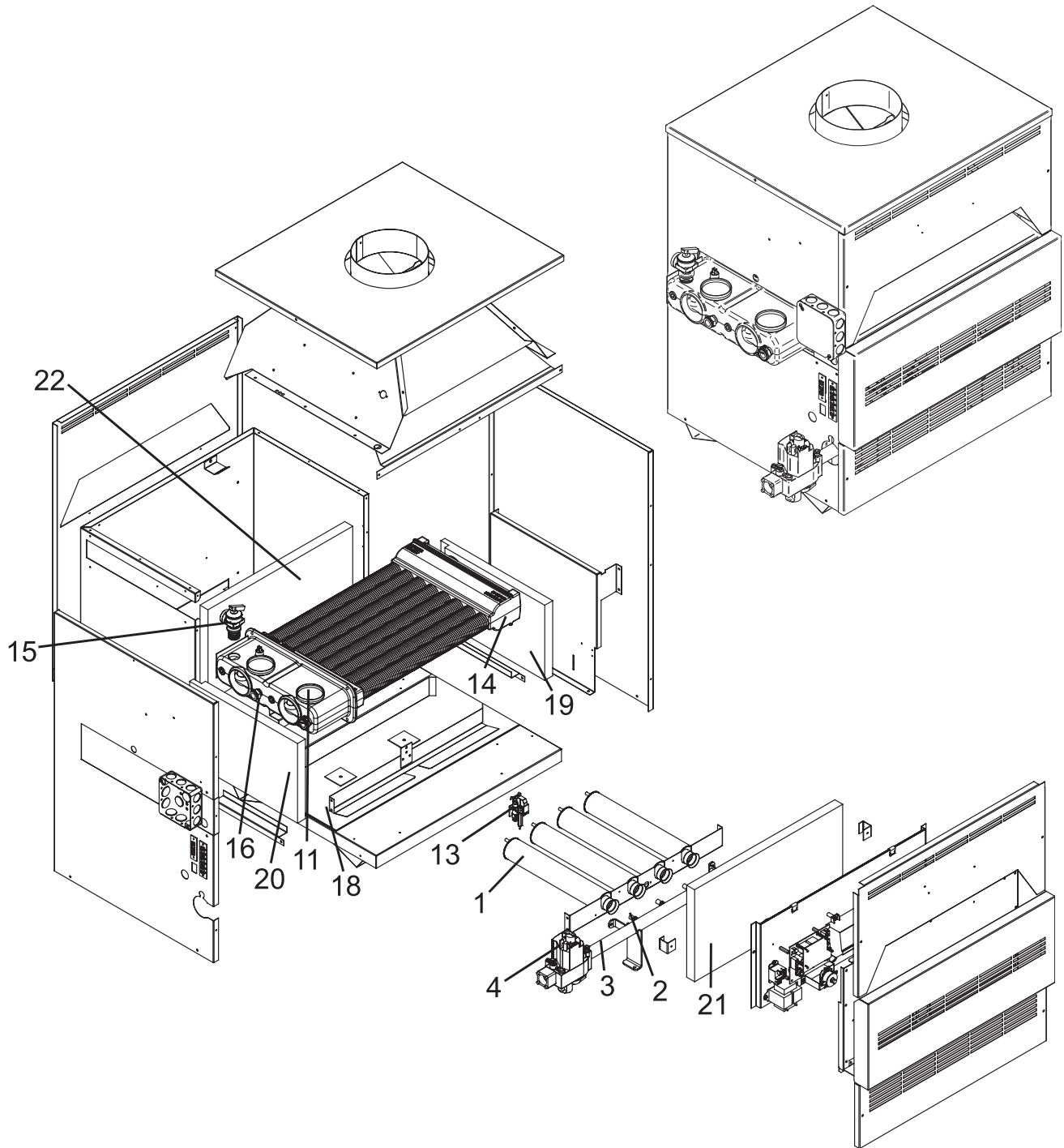




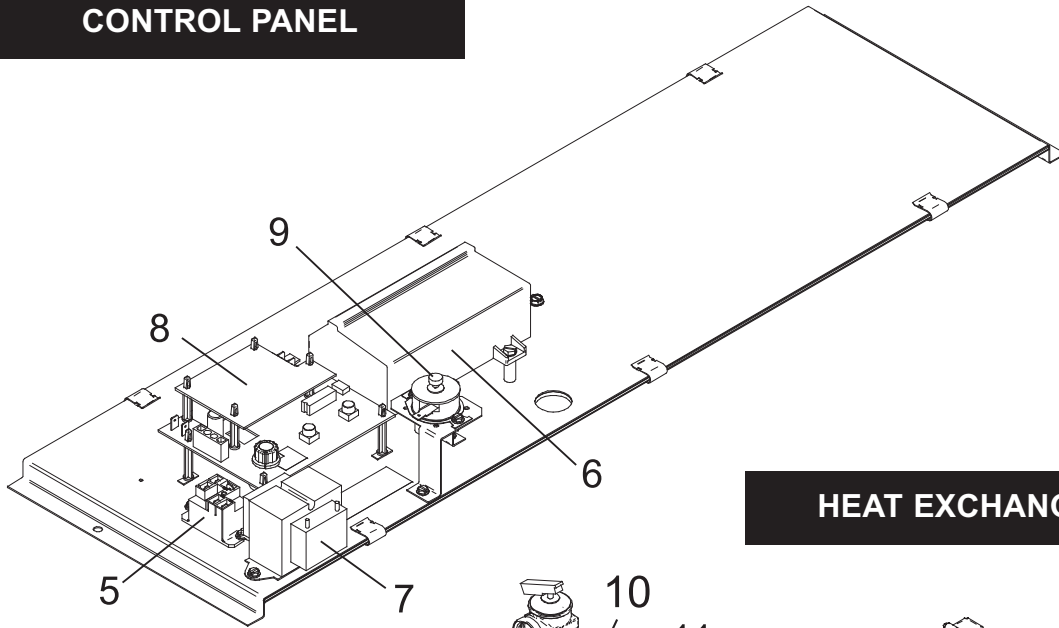
PARTS AND SERVICE DEPARTMENT
Nashville, Tennessee
615-889-8900 • Fax: 615-547-1000
www.Lochinvar.com

Replacement Parts List

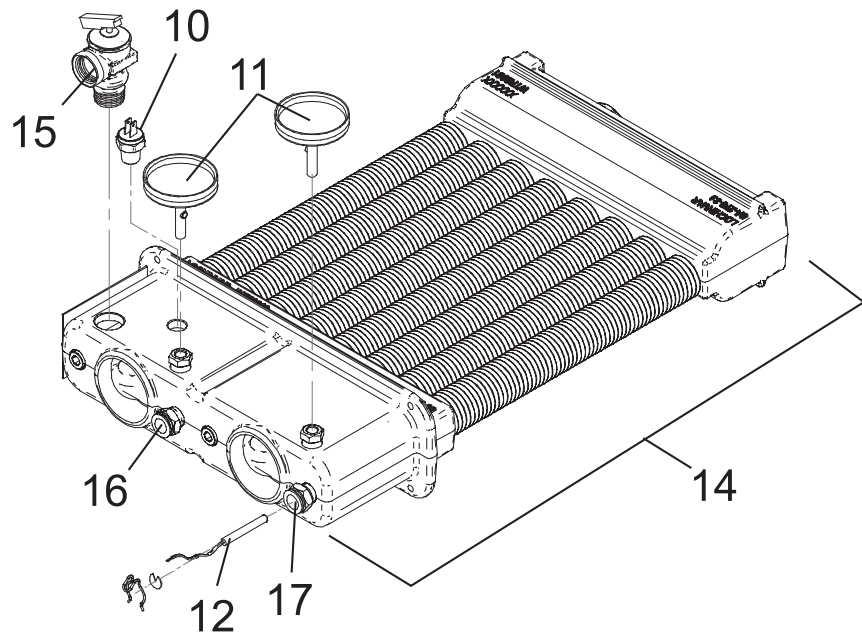
Copper-Fin®
Boilers - CB 315-500
Water Heaters - CW 90-500
Beginning serial #H06H00189863



CONTROL PANEL

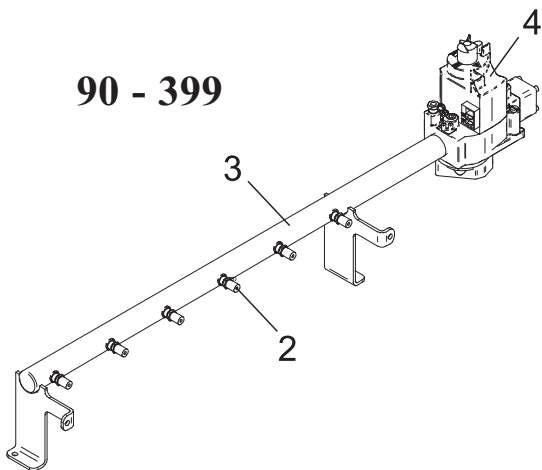


HEAT EXCHANGER ASSEMBLY

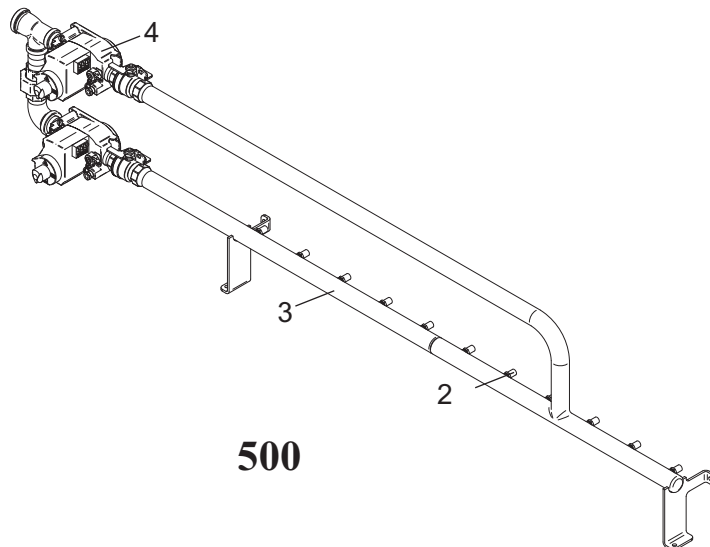


GAS TRAINS

90 - 399



500



ITEM NO.	PART NO.	DESCRIPTION	MODEL NO.			
BURNERS						
1	BNR2903	MAIN BURNER	Model	Quantity	Model	Quantity
			90	2 ea	270	6 ea
			135	3 ea	315	7 ea
			180	4 ea	360	8 ea
			199	5 ea	399	9 ea
		225	5 ea	500	11 ea	
GAS TRAIN ASSEMBLIES						
2	ORF2419	ORIFICE, NAT	ALL			
2	ORF2402	ORIFICE, LP	ALL			
3	MAN2935	GAS MANIFOLD	CW090			
3	MAN2936	GAS MANIFOLD	CW135			
3	MAN2937	GAS MANIFOLD	CW180			
3	MAN2938	GAS MANIFOLD	CW199/225			
3	MAN2939	GAS MANIFOLD	CW270			
3	MAN2940	GAS MANIFOLD	CB/CW315			
3	MAN2941	GAS MANIFOLD	CB/CW 360			
3	MAN2942	GAS MANIFOLD	CB/CW399			
3	MAN2943	GAS MANIFOLD	CB/CW500			
4	VAL2922	GAS VALVE, NAT. F1	CWN90-135			
4	VAL2927	GAS VALVE, NAT. F1	CWN199			
4	VAL2920	GAS VALVE, NAT. F1	CWN180, 225, 270			
4	VAL2940	GAS VALVE, NAT. M9	CBN315-399			
4	VAL2904	GAS VALVE, NAT. F9	CWN90-135			
4	VAL4934	GAS VALVE, NAT. F9	CWN199			
4	VAL2928	GAS VALVE, NAT. F9	CWN180, 225-500 & CBN500-M9			
4	VAL4901	GAS VALVE, LPG. F1	CWL90-135			
4	VAL2921	GAS VALVE, LPG. F1	CWL180, 225, 270			
4	VAL4936	GAS VALVE, LPG. F1	CWL199			
4	VAL2933	GAS VALVE, LPG. M9	CBL315-399			
4	VAL2905	GAS VALVE, LPG. F9	CWL90-135			
4	VAL4935	GAS VALVE, LPG. F9	CWL199			
4	VAL2929	GAS VALVE, LPG. F9	CWL180, 225-500 & CBL500-M9			
CONTROLS & GAUGES						
5	RLY2052	RELAY, PUMP	ALL CW			
5	RLY2105	RELAY, PUMP	ALL CB			
6	RLY3007	IGNITION MODULE	CW90-270 & CB / CW315-399			
6	RLY3006	IGNITION MODULE	CB / CW500			
7	TRF2002	TRANSFORMER 50V.A.	ALL			
8	TST2314	THERMOSTAT BOARD	ALL CB			
8	TST5314	THERMOSTAT BOARD	ALL CW			
9	KIT3117	OVERHEAT, LIMIT MANUAL RESET	ALL CW			
10	HLC2909	HIGH LIMIT	CB315-500			
10	HLC2303	HIGH LIMIT	CW90-500			
11	GTP2900	TRIOMETER GAUGE 75# PSI	ALL CB			
11	GTP2002	TEMP. GAUGE	ALL CW			
12	TST2032	TEMPERATURE SENSOR	ALL			
13	PLT2016	PILOT, INTERMITTENT, NAT. F1	CWN090-270			
13	PLT3028	PILOT, INTERMITTENT, LP. F1	CWL090-270			
13	PLT2908	PILOT, INTERMITTENT, NAT. F9/M9	CBN/CWN315-500			
13	PLT2909	PILOT, INTERMITTENT, LP. F9/M9	CBL/CWL315-500			
-	PLT2903	THERMOCOUPLE F-1	CW090 & 135			
-	PLT2904	THERMOCOUPLE F-1	CW180-270			
-	HLC2903	ROLLOUT SWITCH 250 DEG	CW90,135,180,225 / CB & CW315,360			
-	HLC2906	ROLLOUT SWITCH 200 DEG	CW199			
-	HLC2908	ROLLOUT SWITCH 220 DEG	CW270-CB & CW399-500			
-	HLC2903	SPILL SWITCH 250 DEG	CW90,135,199,225 / CB & CW399-500			
-	HLC2906	SPILL SWITCH 200 DEG	CW270			
-	HLC2908	SPILL SWITCH 280 DEG	CW180, CB/CW 315-360			
HEAT EXCHANGERS						
14	HEX3863	HEAT EXCHANGER H	CB315			
14	HEX3864	HEAT EXCHANGER H	CB360			
14	HEX3865	HEAT EXCHANGER H	CB399			
14	HEX3866	HEAT EXCHANGER H	CB500			
14	HEX3867	HEAT EXCHANGER HLW	CW090			
14	HEX3868	HEAT EXCHANGER HLW	CW135			
14	HEX3869	HEAT EXCHANGER HLW	CW180			
14	HEX3896	HEAT EXCHANGER HLW	CW199			
14	HEX3870	HEAT EXCHANGER HLW	CW225			
14	HEX3871	HEAT EXCHANGER HLW	CW270			
14	HEX3872	HEAT EXCHANGER HLW	CW315			
14	HEX3873	HEAT EXCHANGER HLW	CW360			
14	HEX3874	HEAT EXCHANGER HLW	CW399			
14	HEX3875	HEAT EXCHANGER HLW	CW500			

ITEM NO.	PART NO.	DESCRIPTION	MODEL NO.
HEAT EXCHANGERS (Continued)			
-	JKR2061	V-BAFFLE	CW135
-	JKR2062	V-BAFFLE	CW180
-	JKR2179	V-BAFFLE	CW225 - 199
-	JKR2180	V-BAFFLE	CW270
-	JKR2181	V-BAFFLE	CB/CW315
-	JKR2182	V-BAFFLE	CB/CW360
-	JKR2307	V-BAFFLE	CB/CW399
-	JKR2308	V-BAFFLE	CB/CW500
15	RLV2006	RELIEF VALVE, T&P	CW090-360
15	RLV2005	RELIEF VALVE, PRESSURE 30 PSI	CB315-360
15	RLV2002	RELIEF VALVE, PRESSURE 30 PSI	CB500
15	RLV2017	RELIEF VALVE, T&P	CW399-500
15	RLV2001	RELIEF VALVE, PRESSURE 50 PSI	CB315-360
15	RLV2084	RELIEF VALVE, PRESSURE 50 PSI	CB399-500
16	TST2300	BULB WELL	ALL CB
16	TST2301	BULB WELL	ALL CW
17	TST2306	BULB WELL	ALL
LOCH-HEAT® TILE			
18	FIB2964	INSULATION, BOTTOM	90
18	FIB2965	INSULATION, BOTTOM	135
18	FIB2966	INSULATION, BOTTOM	180
18	FIB2967	INSULATION, BOTTOM	199-225
18	FIB2968	INSULATION, BOTTOM	270
18	FIB2969	INSULATION, BOTTOM	315
18	FIB2970	INSULATION, BOTTOM	360
18	FIB2971	INSULATION, BOTTOM	399
18	FIB2972	INSULATION, BOTTOM	500
19	FIB2973	LOCH-HEAT TILE, SIDE RIGHT	ALL
20	FIB2942	LOCH-HEAT TILE, SIDE LEFT	ALL
21	FIB2945	LOCH-HEAT TILE, FRONT	90
21	FIB2947	LOCH-HEAT TILE, FRONT	135
21	FIB2949	LOCH-HEAT TILE, FRONT	180
21	FIB2951	LOCH-HEAT TILE, FRONT	199-225
21	FIB2953	LOCH-HEAT TILE, FRONT	270
21	FIB2955	LOCH-HEAT TILE, FRONT	315
21	FIB2957	LOCH-HEAT TILE, FRONT	360
21	FIB2959	LOCH-HEAT TILE, FRONT	399
21	FIB2961	LOCH-HEAT TILE, FRONT	500
22	FIB2946	LOCH-HEAT TILE, BACK	90
22	FIB2948	LOCH-HEAT TILE, BACK	135
22	FIB2950	LOCH-HEAT TILE, BACK	180
22	FIB2952	LOCH-HEAT TILE, BACK	199-225
22	FIB2954	LOCH-HEAT TILE, BACK	270
22	FIB2956	LOCH-HEAT TILE, BACK	315
22	FIB2958	LOCH-HEAT TILE, BACK	360
22	FIB2960	LOCH-HEAT TILE, BACK	399
22	FIB2962	LOCH-HEAT TILE, BACK	500
PUMPS			
-	ARM3045PAB	PUMP, WTR. HEATER	ALL CW
OPTIONS (Not Pictured)			
-	DRH2935	FLUE DAMPER - 5"	90
-	DRH2936	FLUE DAMPER - 6"	135
-	DRH2937	FLUE DAMPER - 7"	180/199/225
-	DRH2938	FLUE DAMPER - 8"	270/315
-	DRH2939	FLUE DAMPER - 10"	360-500
-	WTR2040	FLOW SWITCH	ALL
-	KIT3051	OUTDOOR AIR RESET	ALL CB
-	KIT3052	ADJUSTABLE MRHL	ALL
-	KIT3053	CONTACTS ON ANY FAILURE	CB/CW315-500
-	KIT3054	LOUVER CONTACTS	CB/CW315-500
-	KIT3056	HIGH PRESSURE AUTO RESET LWCO	CB315-500 / ALL CW
-	WTR20009	MRLWCO w/TEST	CB315-500 / ALL CW
-	KIT3058	PUMP DELAY	ALL CB
-	LPK3910	NAT-LP CONVERSION KIT-F1	CW090-135
-	LPK3931	NAT-LP CONVERSION KIT-F1	CW199
-	LPK3911	NAT-LP CONVERSION KIT-F1	CW180, 225, 270
-	LPK3912	NAT-LP CONVERSION KIT-F9	CW090-135
-	LPK3934	NAT-LP CONVERSION KIT-F9	CW199
-	LPK3913	NAT-LP CONVERSION KIT-F9	CW180, 225-500 & CB500-M9
-	LPK3916	NAT-LP CONVERSION KIT-M9	CB315-399
PLEASE HAVE MODEL NUMBER AND SERIAL NUMBER WHEN ORDERING PARTS.			